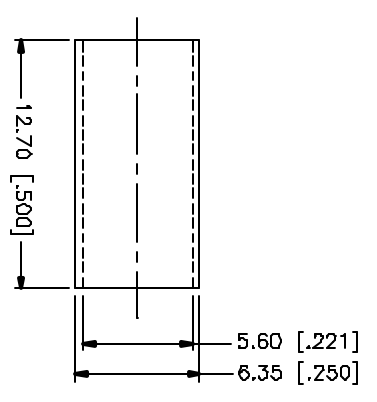
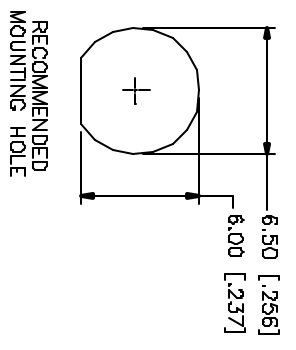
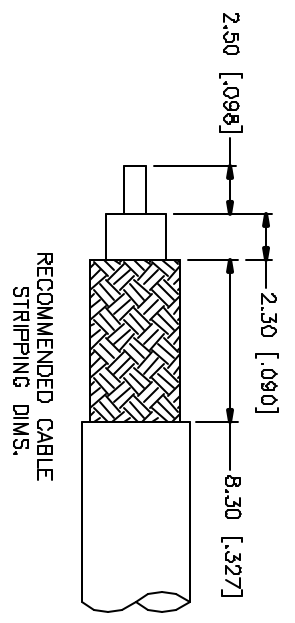
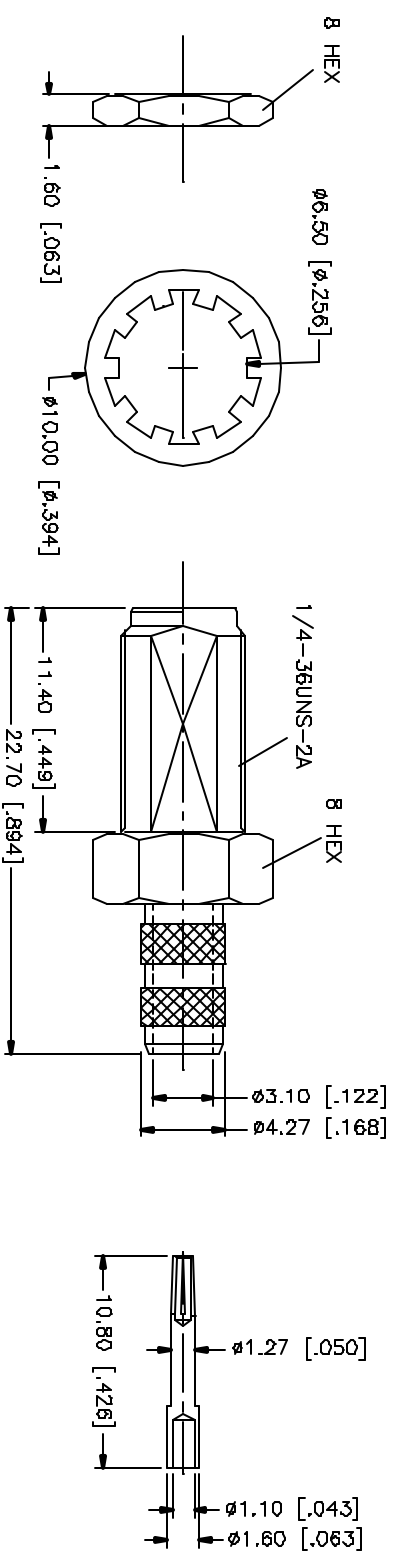


REV.	DATE	DESCRIPTION
NC	02/13/98	INITIAL RELEASE
A	05/01/04	UPDATE DRAWING FORMAT



REV.	DATE	DESCRIPTION
8		
7		
6		
5		
4		
3		
2		
1		

REV.	DATE	DESCRIPTION
8		
7		
6		
5		
4		
3		
2		
1		

REV.	DATE	DESCRIPTION
8		
7		
6		
5		
4		
3		
2		
1		

REV.	DATE	DESCRIPTION
8		
7		
6		
5		
4		
3		
2		
1		

REV.	DATE	DESCRIPTION
8		
7		
6		
5		
4		
3		
2		
1		

REV.	DATE	DESCRIPTION
8		
7		
6		
5		
4		
3		
2		
1		

REV.	DATE	DESCRIPTION
8		
7		
6		
5		
4		
3		
2		
1		

REV.	DATE	DESCRIPTION
8		
7		
6		
5		
4		
3		
2		
1		

REV.	DATE	DESCRIPTION
8		
7		
6		
5		
4		
3		
2		
1		

REV.	DATE	DESCRIPTION
8		
7		
6		
5		
4		
3		
2		
1		

REV.	DATE	DESCRIPTION
8		
7		
6		
5		
4		
3		
2		
1		

REV.	DATE	DESCRIPTION
8		
7		
6		
5		
4		
3		
2		
1		

REV.	DATE	DESCRIPTION
8		
7		
6		
5		
4		
3		
2		
1		

REV.	DATE	DESCRIPTION
8		
7		
6		
5		
4		
3		
2		
1		

REV.	DATE	DESCRIPTION
8		
7		
6		
5		
4		
3		
2		
1		

REV.	DATE	DESCRIPTION
8		
7		
6		
5		
4		
3		
2		
1		

REV.	DATE	DESCRIPTION
8		
7		
6		
5		
4		
3		
2		
1		

REV.	DATE	DESCRIPTION
8		
7		
6		
5		
4		
3		
2		
1		

REV.	DATE	DESCRIPTION
8		
7		
6		
5		
4		
3		
2		
1		

REV.	DATE	DESCRIPTION
8		
7		
6		
5		
4		
3		
2		
1		

REV.	DATE	DESCRIPTION
8		
7		
6		
5		
4		
3		
2		
1		

REV.	DATE	DESCRIPTION
8		
7		
6		
5		
4		
3		
2		
1		

REV.	DATE	DESCRIPTION
8		
7		
6		
5		
4		
3		
2		
1		

REV.	DATE	DESCRIPTION
8		
7		
6		
5		
4		
3		
2		
1		

REV.	DATE	DESCRIPTION
8		
7		
6		
5		
4		
3		
2		
1		

REV.	DATE	DESCRIPTION
8		
7		
6		
5		
4		
3		
2		
1		

REV.	DATE	DESCRIPTION
8		
7		
6		
5		
4		
3		
2		
1		

REV.	DATE	DESCRIPTION
8		
7		
6		
5		
4		
3		
2		
1		

REV.	DATE	DESCRIPTION
8		
7		
6		
5		
4		
3		
2		
1		

REV.	DATE	DESCRIPTION
8		
7		
6		
5		
4		
3		
2		
1		

REV.	DATE	DESCRIPTION
8		
7		
6		
5		
4		
3		
2		
1		

REV.	DATE	DESCRIPTION
8		
7		
6		
5		
4		
3		
2		
1		

REV.	DATE	DESCRIPTION
8		
7		
6		
5		
4		
3		
2		
1		

REV.	DATE	DESCRIPTION
8		
7		
6		
5		
4		
3		
2		
1		

REV.	DATE	DESCRIPTION
8		
7		
6		
5		
4		
3		
2		
1		

REV.	DATE	DESCRIPTION
8		
7		
6		
5		
4		
3		
2		
1		

REV.	DATE	DESCRIPTION
8		
7		
6		
5		
4		
3		
2		
1		

REV.	DATE	DESCRIPTION
8		
7		
6		
5		
4		
3		
2		
1		

REV.	DATE	DESCRIPTION
8		
7		
6		
5		
4		
3		
2		
1		

REV.	DATE	DESCRIPTION
8		
7		
6		
5		
4		
3		
2		
1		

REV.	DATE	DESCRIPTION
8		
7		
6		
5		
4		
3		
2		
1		

REV.	DATE	DESCRIPTION
8		
7		
6		
5		
4		
3		
2		
1		

REV.	DATE	DESCRIPTION
8		
7		
6		
5		
4		
3		
2		
1		

REV.	DATE	DESCRIPTION
8		
7		
6		
5		
4		
3		
2		
1		

REV.	DATE	DESCRIPTION
8		
7		
6		
5		
4		
3		
2		
1		

REV.	DATE	DESCRIPTION
8		
7		
6		
5		
4		
3		
2		
1		

REV.	DATE	DESCRIPTION
------	------	-------------